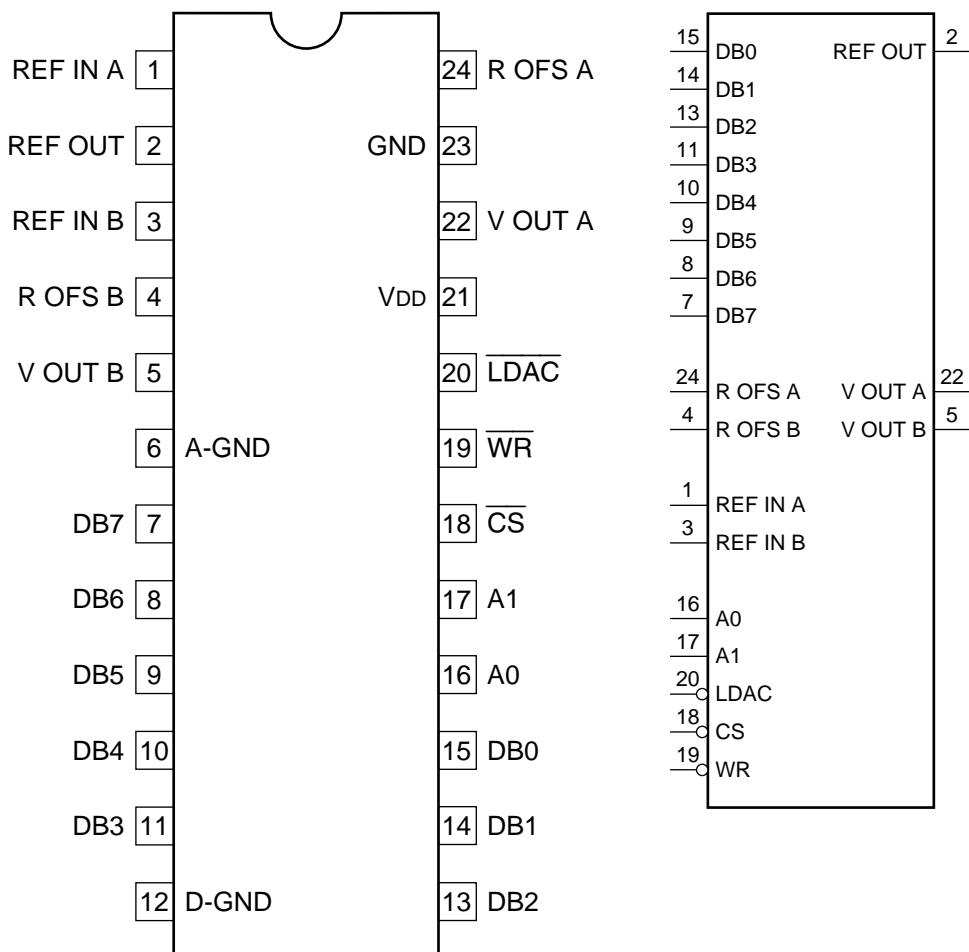


C-MOS 12-BIT DIGITAL-TO-ANALOG CONVERTER

—TOP VIEW—

**INPUT**

A0, A1 : ADDRESS
 CS : CHIP SELECT
 DB0 - DB7 : DIGITAL LOGIC
 LDAC : LOAD DAC LOGIC
 REF IN A : VOLTAGE REFERENCE FOR DAC A
 REF IN B : VOLTAGE REFERENCE FOR DAC B
 R OFS A : OFFSET RESISTOR FOR DAC A
 R OFS B : OFFSET RESISTOR FOR DAC B
 WR : WRITE

OUTPUT

REF OUT : VOLTAGE REFERENCE
 V OUT A : ANALOG VOLTAGE FROM DAC A
 V OUT B : ANALOG VOLTAGE FROM DAC B

